

# BROOKHAVEN LEVER

## Deck Valves & Aqua Filler



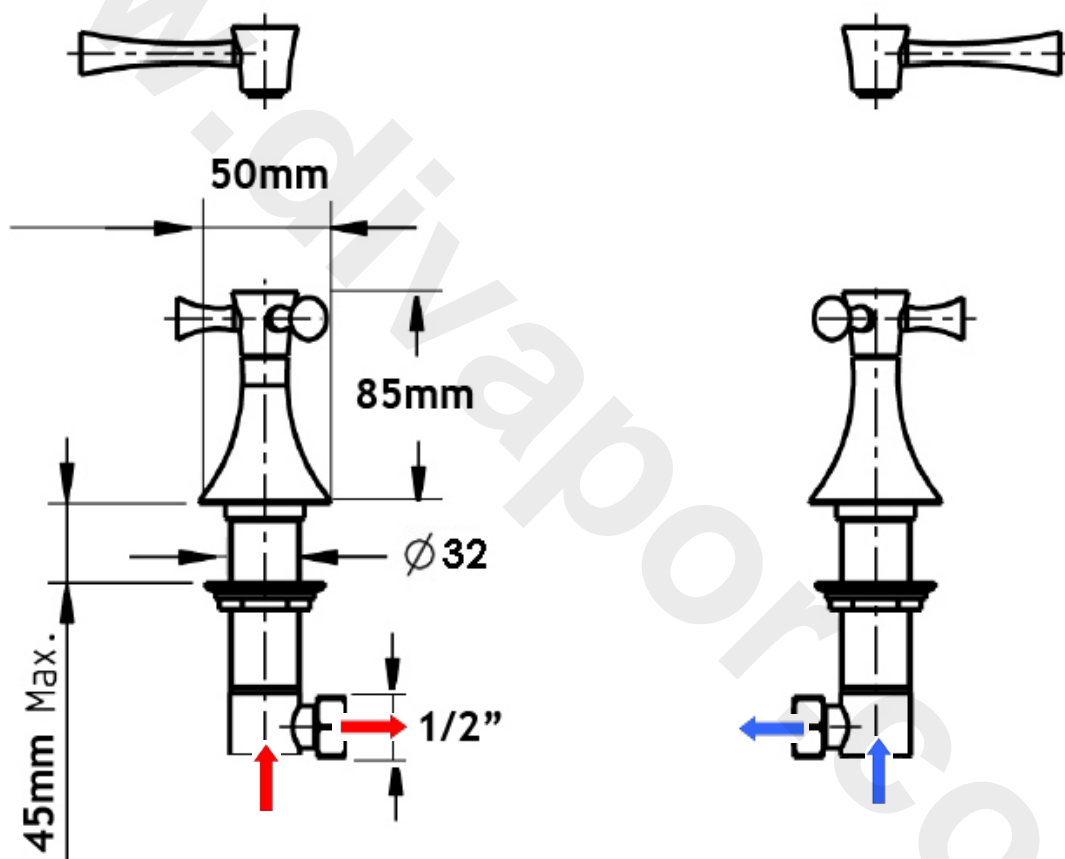
*Pack consists of:*

*1 x 34890MW.L Pair Deck Bath Valves*

*1 x 033 Low Pressure Aqua Filler  
with clic-clac waste*

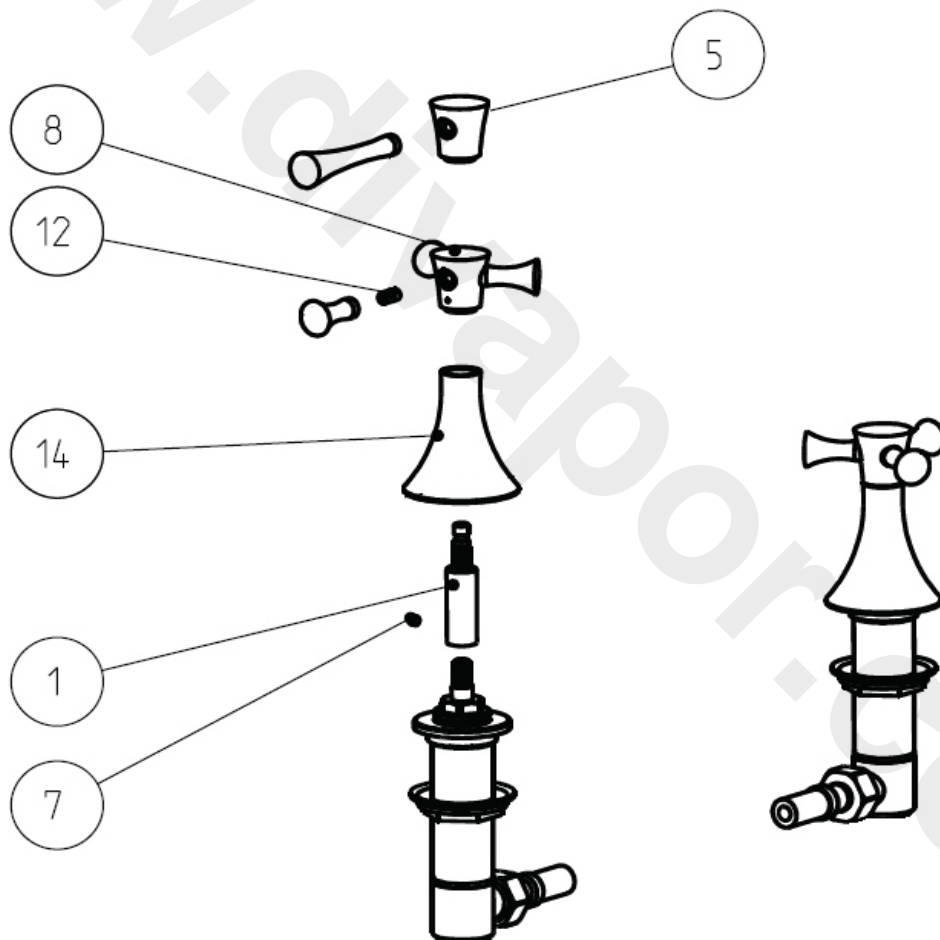
# BROOKHAVEN

Pair 1/2" deck bath valves



**Codes: 34890MW.L (lever)  
34890MW.X (cross)**

1	Spline Extension	2
5	Lever Handle	2
7	Spline Extention Screw	2
8	Cross Handle	2
12	Handle Set Screw	2
14	Crown Bell	2

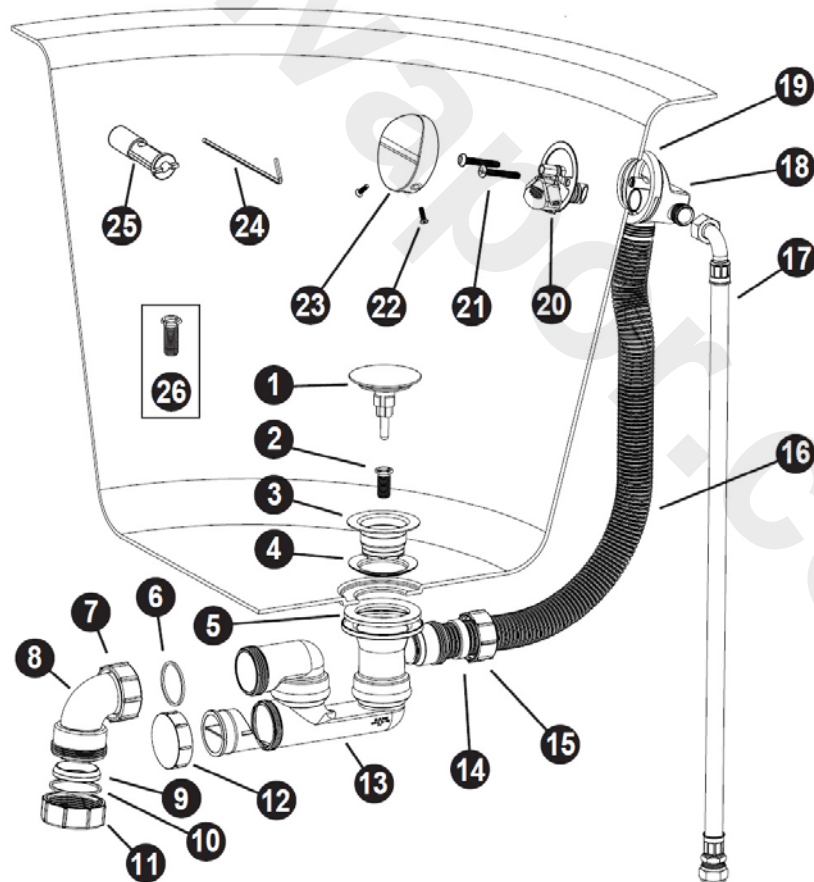


# AQUA FILLER

with clic-clac waste

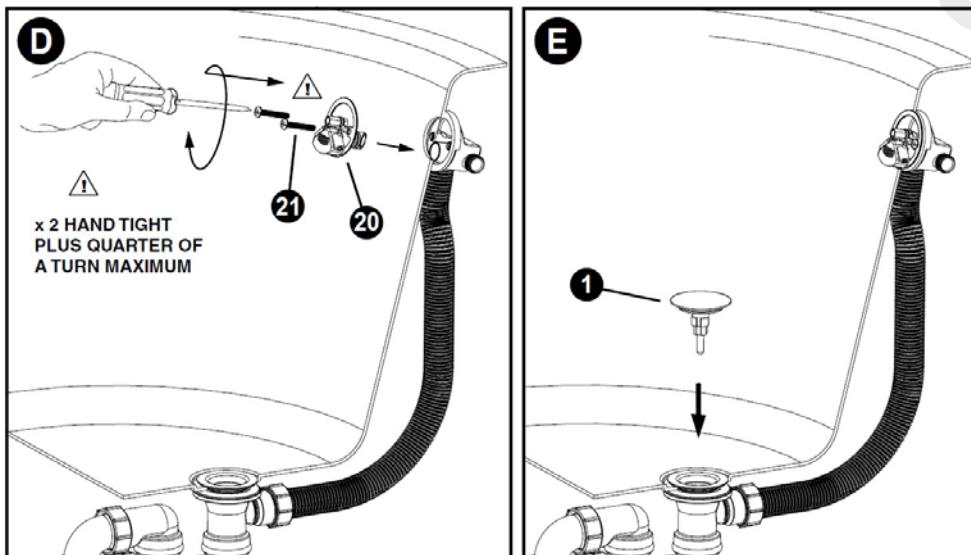
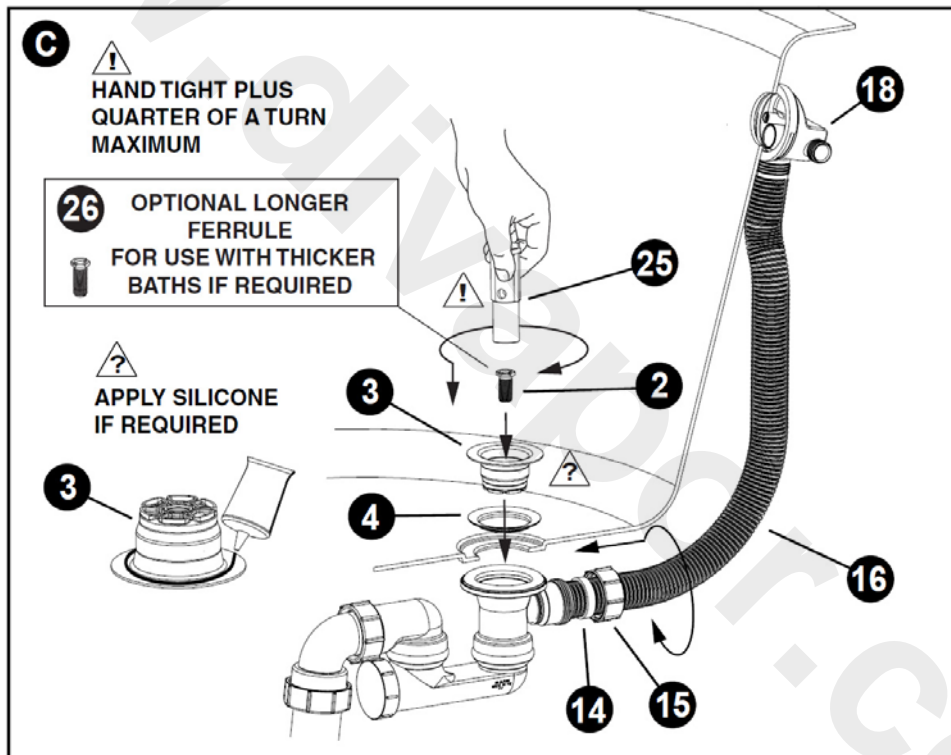
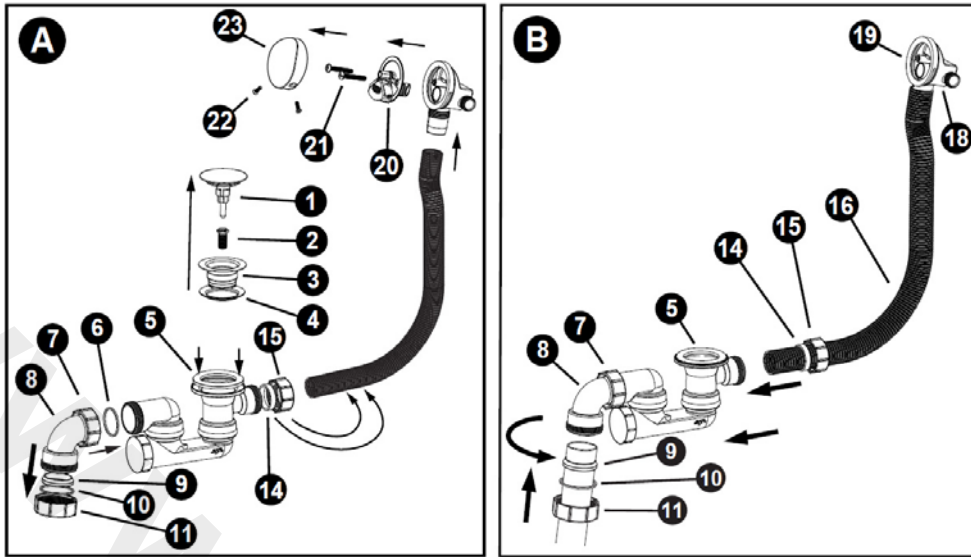
1	Plug assembly (Removable)
2	Waste ferrule
3	Waste flange
4	Waste Flange seal
5	Rubber waste seal
6	Rubber seal
7	1.5" BSP nut
8	95° trap outlet elbow
9	Tapered rubber seal
10	Plastic seal
11	1.75" BSP compression nut
12	Trap cleaning eye
13	Trap waste body

14	Rubber Seal
15	1.25" BSP compression nut
16	Flexible overflow pipe
17	Flexible inlet hose
18	Overflow body
19	Rubber Overflow Seal
20	Overflow clamp plate / Nozzle body
21	Overflow clamp plate screws
22	Key Bolts (x2)
23	Overflow cover
24	Allen Hex Key for tightening
25	Plastic Key for tightening
26	Long ferrule (for use with thicker baths)

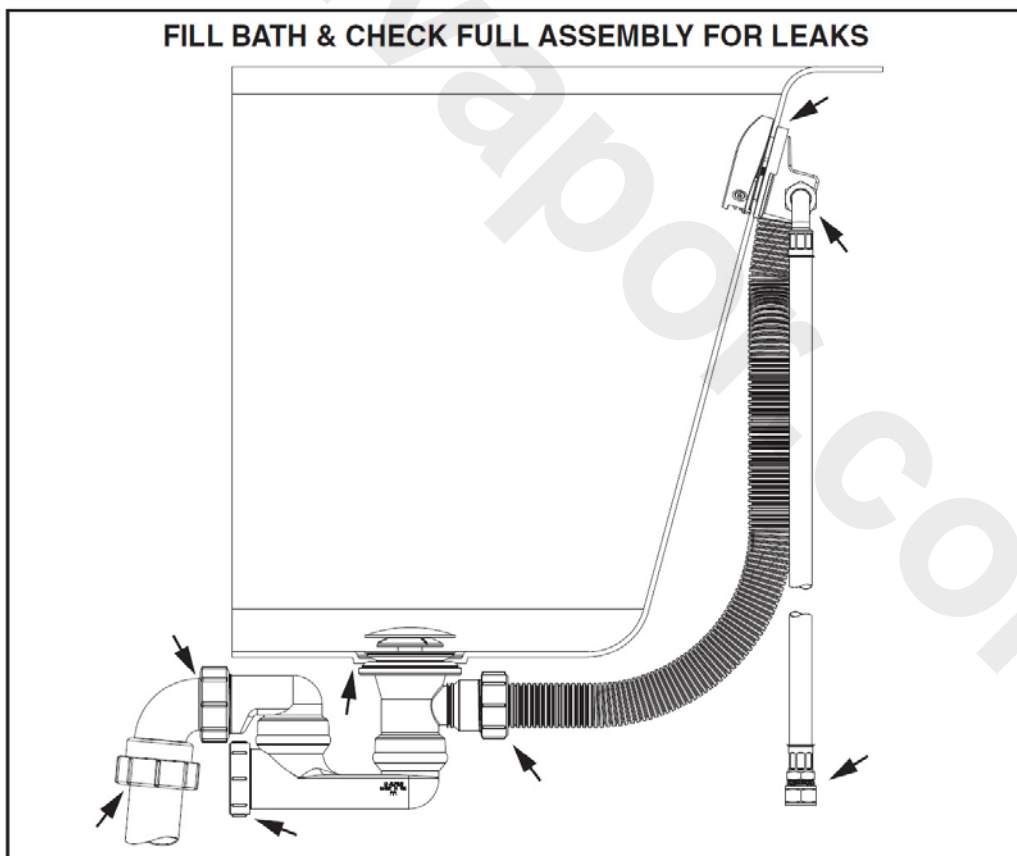
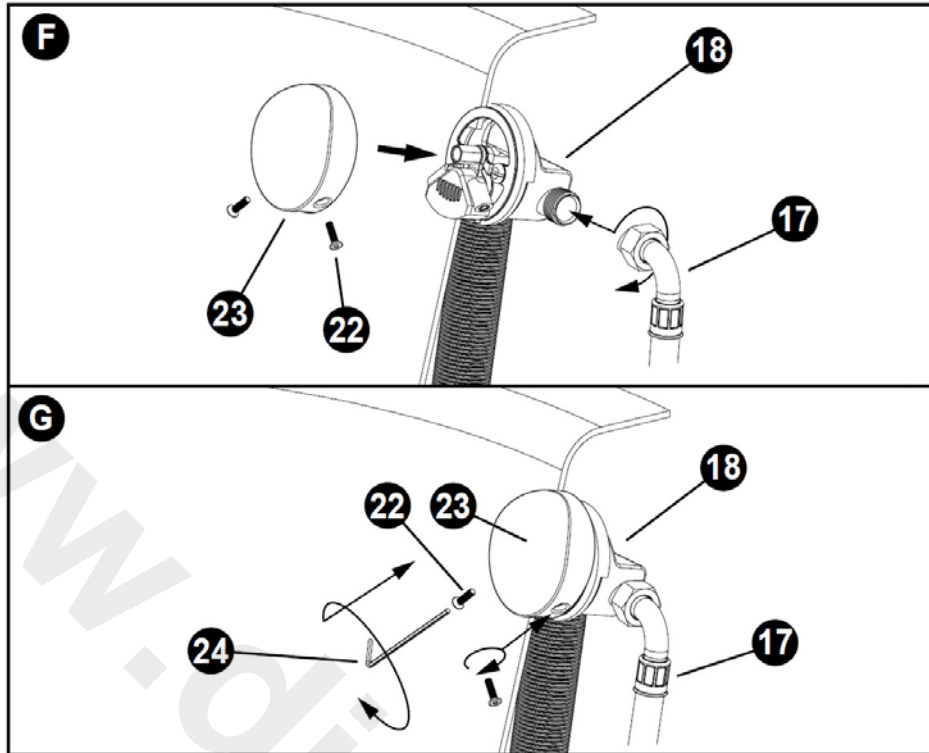


**CIFIAL**

with clic-clac waste



with clic-clac waste



- Mixer valve (not supplied) must be installed according to manufacturers guidelines and Local authority regulations.
- Protection against pollution of potable water installations and general requirements of devices to prevent pollution by backflow as detailed in EN 1717 should be observed.
- Flexible inlet pipe should be installed in a self-draining position.